



METALSISTEM®

UNICANT

MODULAR CANTILEVER RACKING
FOR THE STORAGE OF LONG GOODS

rafia.gr[®]

Εξοπλισμοί Καταστημάτων
Συστήματα Αποθήκευσης
Τηλ.: 27510 67198

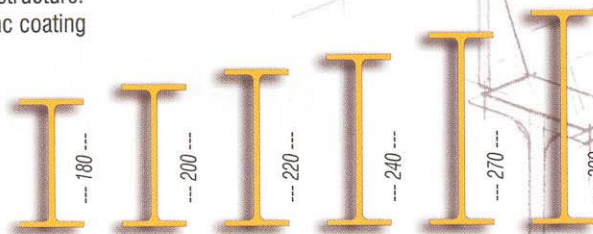
UNICANT

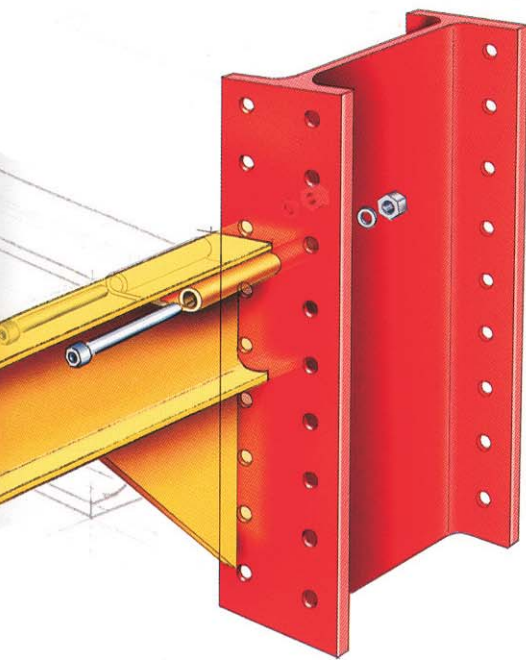
MODULAR CANTILEVER RACKING FOR THE STORAGE OF LONG GOODS

- UNICANT, the cantilever rack manufactured by METALSISTEM, is made from modular components able to provide optimal storage solutions both in terms of volume and of load bearing capacity.
- The UNICANT cantilever rack is entirely self supporting and therefore does not require to be stabilised by connections to walls, ceilings, and alike.
- The multitude of configurations of the UNICANT Cantilever allow tailor-made solutions for the storage of long items such as wooden panels, sheet metal, plastic and metal profiles, furniture and goods of varying volume.
- Extensive research and development has permitted an optimisation of the prime material entering the production streams of the UNICANT Cantilever.
- This gives METALSISTEM Clients the security of obtaining a competitive product both in terms of quality and cost efficiency while safeguarding elevated safety standards.



- The connection between the UNICANT column and the cantilever arm is created applying two high resistance bolts (Class 12.9, according to DIN 912). This feature facilitates the speed of assembly.
- The UNICANT cantilever is manufactured in the standard colours red RAL 3000 for the main structural elements and yellow RAL 1004 for the cantilever arms, ensuring an optimal visibility of the structure. The cross bracing is made from closed galvanised profile sections; zinc coating according to the SENDZIMIR procedure.
- The UNICANT cantilever arms can be supplied with a wide range of accessories such as end stops, spool holders, steel plank stops, etc, thus tailoring the loading surface to specific requirements.



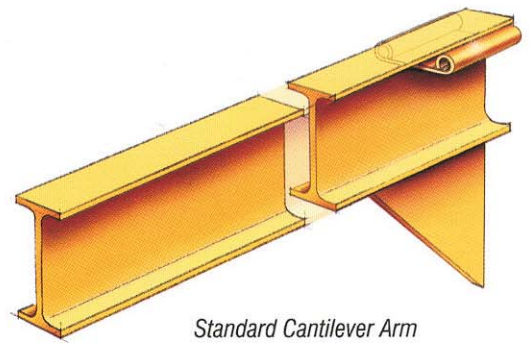


Connection between UNICANT arm and column

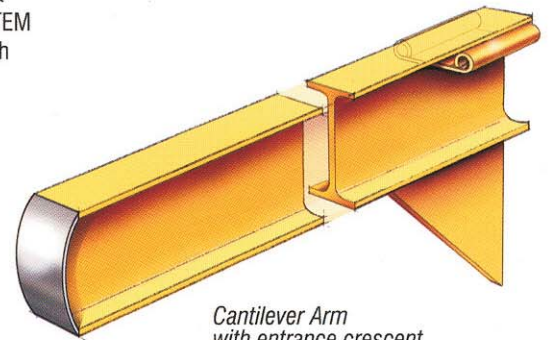
The connection between the column and the cantilever arm is created with only two high resistance bolts (class 12.9 according to DIN 912).

The geometry of this unique connection is the result of exhaustive structural analysis and meticulous testing aimed at creating a connection which will provide METALSISTEM Clients maximum ease of use coupled with top performance.

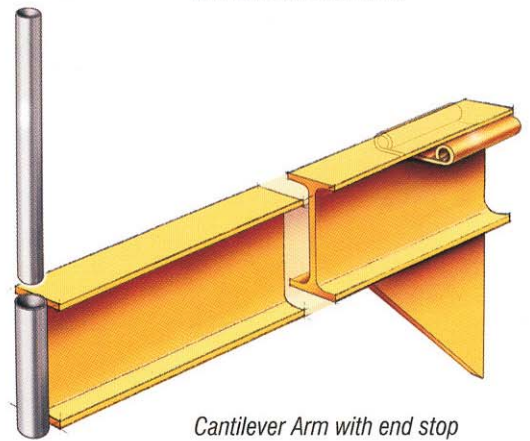
The simplicity of the connection coupled with the wide range of pre-assembled accessories available on cantilever arms ensure a particularly fast and effortless assembly of UNICANT cantilever structures.



Standard Cantilever Arm



Cantilever Arm with entrance crescent

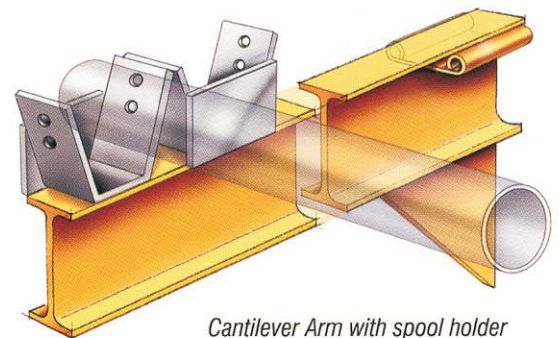


Cantilever Arm with end stop

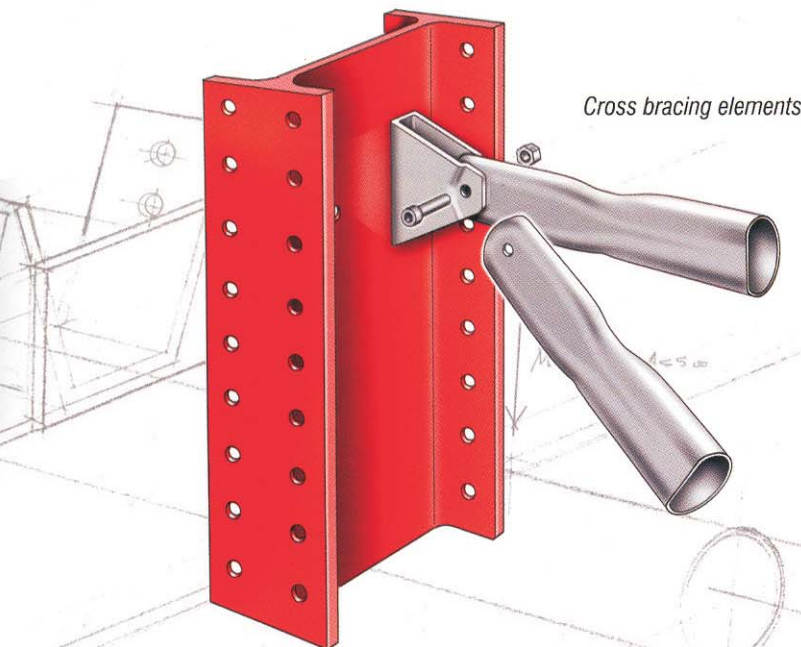
All structural components of the UNICANT cantilever are made from IPE sections ranging from IPE180 to IPE300. The wide range of profile dimensions provide a broad scope of load bearing capacities: from 355daN to 2000 daN for the cantilever arms; and up to 35000 daN for the columns.

The UNICANT cantilever arms can be accessorised with steel planks, thus creating open storage levels clear of obstacles. The addition of steel planks - available in three different versions, smooth, moulded or perforated - allow goods of varying volume as well as pallets of varied dimensions to be stored with the maximum of ease. The steel plank stops welded at the end of the cantilever arms provide a secure and long lasting footing for the steel plank panels.

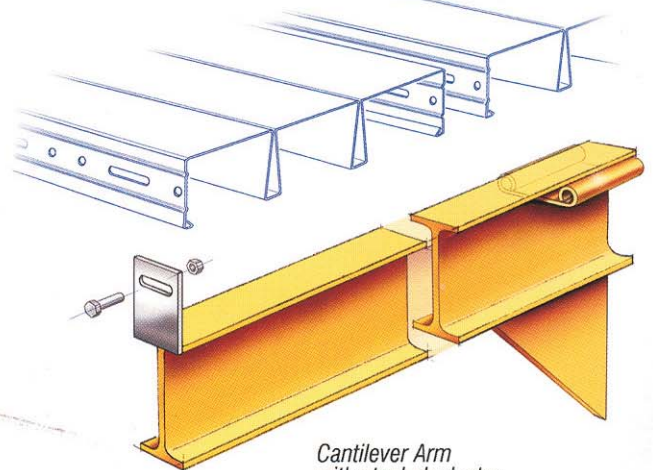
The horizontal and diagonal spacer bars which create the bracing of the UNICANT cantilever are closed galvanised sections manufactured by METALSISTEM using sophisticated roll forming technology. The use of closed profiles coupled with the application of industrialised production techniques for the creation of the UNICANT structural connections provide a clear advantage in terms of quality and cost efficiency.



Cantilever Arm with spool holder



Cross bracing elements



Cantilever Arm with steel plank stop